

POULTRY BELTS

BANDAS AVÍCOLAS

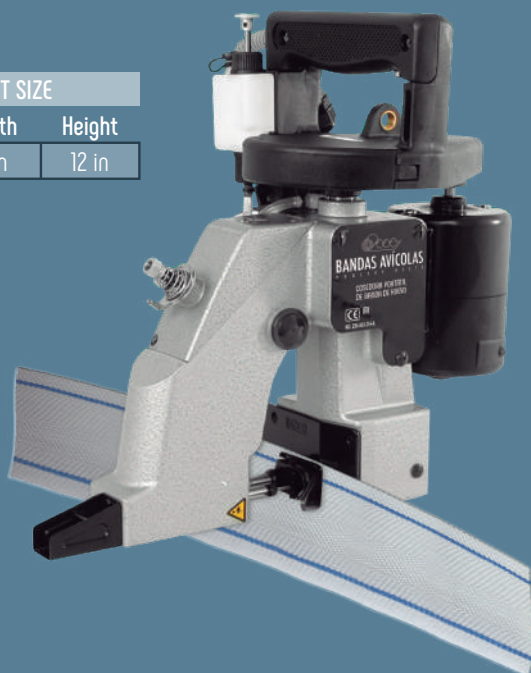
TECHNICAL DATASHEET PORTABLE EGG BELT STITCHER

The portable egg belt stitcher is ideal for repairing and maintaining polypropylene belts. In addition, it is equipped with an automatic lubrication system that allows to prolong the life of the machine.

It is very simple to operate, as it allows functioning by simply pressing the power button while holding the material to be sewn with the other hand. Once the seaming is joined together, the thread will be cut automatically.



PRODUCT SIZE		
Length	Width	Height
13 in	9 in	12 in



Since each part of the appliance has been carefully engineered, our belt sewing machine is reliable in quality and stable in performance, lowering the possibility of having the unit constantly repaired. Its design allows use of accessories such as springs to hang it from the ceiling, thus optimizing working hours.

It is highly recommended to clean and oil the sewing machine after each use for impeccable seaming at all times.

SPAIN
 Pol. Industrial Comarca II, C/F, 12
 31191 Barbatáin, Navarra
 +34 611 642 260
 +34 611 642 260

MEXICO
 Capithal Park Colotlán Bodega 77
 45200 Zapopan, Jalisco
 +52 33 3811 2692
 +52 993 147 8430

COLOMBIA
 Calle 15 No. 26-270
 Yumbo, Valle del Cauca
 +57 310 291 5200
 +57 310 291 5200

EEUU
 6000 Eldorado Pkwy
 75033 Frisco, TX
 +1 862 213 1144
 +1 862 213 1144



MADE IN SPAIN
 European Quality

info@bandasavicolas.com
 www.bandasavicolas.com



POULTRY BELTS

B A N D A S A V Í C O L A S

TECHNICAL DATASHEET

PORTABLE EGG BELT STITCHER

GENERAL SAFETY INSTRUCTIONS:

1. Keep the working area clean and well-lit.
2. Do not use in wet or damp places, as there may be a risk of fire or explosion.
3. Avoid electric shock.
Avoid contact with earthed or grounded surfaces such as pipes, radiators and the like.
4. Keep children away. Do not allow them to touch or tamper with the sewing machine or the electrical cable.
5. Please remember to dress appropriately!
Do not wear loose-fitting clothes or jewelry that could get caught in the moving machine parts. People with long hair should wear a hairnet to hold it in place.
6. Special care should be taken to ensure that the electrical cable is gently handled.
Never carry or hold the sewing machine by the cable, nor pull it out of the electrical outlet. Keep it away from heat, oil, and sharp edges. Check it regularly.

7. Provide adequate maintenance and service over the whole-life cycle of the product. Follow instructions for lubrication and replacement of spare part.
8. Switch it off when not in use, prior to maintenance and service and replacement of spare parts.
9. The machine switch must be turned to off before plugging in the unit.
10. Check for damaged parts.
Please check the sewing machine carefully before its use. In case of damage and/or missing parts, report it to your supervisor at once.
11. Warning!!!!
The use of any part or component other than that recommended by BA may increase the risk of bodily injury.
12. Train your sewing machine operator. In doing so, you are not only saving money, but you will also have fewer accidents, and less equipment maintenance. Repairs should be carried out by highly-qualified technical staff only using original spare parts.

TECHNICAL FEATURES:



Sewing speed
1,700 rpm



Stitch distance
7,2 mm



Automatic oiler
by push-button.
It does not run
without oil.



For a perfect
finish, coat
the stitch with
contact adhesive.



Chain of
stitches cutter.



Weight 5,5 kg